

Mobile waste containers —

Part 6: Safety and health requirements

The European Standard EN 840-6:2004 has the status of a
British Standard

ICS 13.030.40

National foreword

This British Standard is the official English language version of EN 840-6:2004. It supersedes BS EN 840-6:1997 which is withdrawn.

The UK participation in its preparation was entrusted by Technical Committee B/508, Waste management, to Subcommittee, B/508/1, Waste containers and associated lifting devices, which has the responsibility to:

- aid enquirers to understand the text;
- present to the responsible international/European committee any enquiries on the interpretation, or proposals for change, and keep the UK interests informed;
- monitor related international and European developments and promulgate them in the UK.

A list of organizations represented on this subcommittee can be obtained on request to its secretary.

Cross-references

The British Standards which implement international or European publications referred to in this document may be found in the *BSI Catalogue* under the section entitled “International Standards Correspondence Index”, or by using the “Search” facility of the *BSI Electronic Catalogue* or of British Standards Online.

This publication does not purport to include all the necessary provisions of a contract. Users are responsible for its correct application.

Compliance with a British Standard does not of itself confer immunity from legal obligations.

Summary of pages

This document comprises a front cover, an inside front cover, the EN title page, pages 2 to 10, an inside back cover and a back cover.

The BSI copyright notice displayed in this document indicates when the document was last issued.

Amendments issued since publication

Amd. No.	Date	Comments

This British Standard, was published under the authority of the Standards Policy and Strategy Committee on 18 March 2004

© BSI 18 March 2004

ISBN 0 580 43565 2

English version

Mobile waste containers - Part 6: Safety and health requirements

Conteneurs roulants à déchets - Partie 6: Exigences d'hygiène et de sécurité

Fahrbare Abfallsammelbehälter - Teil 6: Sicherheits- und Gesundheitsschutzanforderungen

This European Standard was approved by CEN on 10 December 2003.

CEN members are bound to comply with the CEN/CENELEC Internal Regulations which stipulate the conditions for giving this European Standard the status of a national standard without any alteration. Up-to-date lists and bibliographical references concerning such national standards may be obtained on application to the Central Secretariat or to any CEN member.

This European Standard exists in three official versions (English, French, German). A version in any other language made by translation under the responsibility of a CEN member into its own language and notified to the Central Secretariat has the same status as the official versions.

CEN members are the national standards bodies of Austria, Belgium, Cyprus, Czech Republic, Denmark, Estonia, Finland, France, Germany, Greece, Hungary, Iceland, Ireland, Italy, Latvia, Lithuania, Luxembourg, Malta, Netherlands, Norway, Poland, Portugal, Slovakia, Slovenia, Spain, Sweden, Switzerland and United Kingdom.



EUROPEAN COMMITTEE FOR STANDARDIZATION
COMITÉ EUROPÉEN DE NORMALISATION
EUROPÄISCHES KOMITEE FÜR NORMUNG

Management Centre: rue de Stassart, 36 B-1050 Brussels

Contents

page

Foreword.....	3
1 Scope	4
2 Normative references	4
3 General requirements of construction	4
4 Handles	4
5 Wheels.....	6
6 Direction block	6
7 Brakes	7
8 Edges	7
9 Lids.....	7
10 Cleaning	7
11 Instructions for use	8
Annex A (informative) A-Deviations	9
Bibliography	10

Foreword

This document (EN 840-6:2004) has been prepared by Technical Committee CEN/TC 183 "Waste management", the secretariat of which is held by DIN.

This European Standard shall be given the status of a national standard, either by publication of an identical text or by endorsement, at the latest by September 2004 and conflicting national standards shall be withdrawn at the latest by September 2004.

This document supersedes EN 840-6:1997.

This draft European Standard is one part of the series of standards of EN 840 about "Mobile waste containers" comprising the following parts:

- Part 1: Containers with 2 wheels with a capacity up to 400 l for comb lifting devices - Dimensions and design.
- Part 2: Containers with 4 wheels with a capacity up to 1 300 l with flat lid(s), for trunnion and/or comb lifting devices - Dimensions and design.
- Part 3: Containers with 4 wheels with a capacity up to 1 300 l with dome lid(s), for trunnion and/or comb lifting devices - Dimensions and design.
- Part 4: Containers with 4 wheels with a capacity up to 1700 l with flat lid(s), for wide trunnion or BG- and/or wide comb lifting devices - Dimensions and design.
- Part 5: Performance requirements and test methods.
- Part 6: Safety and health requirements.

Annex A is informative.

According to the CEN/CENELEC Internal Regulations, the national standards organizations of the following countries are bound to implement this European Standard: Austria, Belgium, Cyprus, Czech Republic, Denmark, Estonia, Finland, France, Germany, Greece, Hungary, Iceland, Ireland, Italy, Latvia, Lithuania, Luxembourg, Malta, Netherlands, Norway, Poland, Portugal, Slovakia, Slovenia, Spain, Sweden, Switzerland and United Kingdom.

1 Scope

This European Standard provides the essential safety, health and ergonomic requirements for mobile waste containers according to EN 840-1 to EN 840-4, not including hazardous wastes containers.

2 Normative references

This European Standard incorporates, by dated or undated reference, provisions from other publications. These normative references are cited at the appropriate places in the text and the publications are listed hereafter. For dated references, subsequent amendments to or revisions of any of these publications apply to this European Standard only when incorporated in it by amendment or revision. For undated references the latest edition of the publication referred to applies (including amendments).

EN 840-5:2001, *Mobile waste containers – Part 5: Performance requirements and test methods*.

3 General requirements of construction

3.1 The container shall be constructed so that when it is unloaded or loaded with a nominal load, it has a secure fit on an approved compatible lifting device and must be automatically locked safely into the lifting device during the tilting and emptying operation.

3.2 The container shall be safely fitted to the lifting device of the vehicle without being carried or lifted manually.

3.3 Wheeled containers shall be constructed so that under test conditions according to EN 840-5 the pushing and pulling forces to keep the container moving shall not exceed the values given in EN 840-5:2001, 4.9. Pushing and pulling forces shall be declared in the instructions for use (see clause 11).

3.4 During construction of containers the following factors influencing measurable handling force shall be optimised:

- design of container as regards to form, size and position of centre of gravity in relation to positioning of wheels and handles;
- even distribution of loads on wheels;
- low rolling resistance.

4 Handles

4.1 Two wheeled containers shall have handles for pulling, pushing and manoeuvring the container that enable the operator to grip safely with two hands.

Four wheeled containers shall have handles for pushing, pulling, manoeuvring and lifting the container. Injuries caused by sharp edges shall be avoided.

4.2 Handles for pulling, pushing and manoeuvring the container shall have one of the external forms as shown in Figure 1 (based on the external form of Figure 1 ring form section and U-shaped form section are permitted). A minimum length of 120 mm and a minimum clearance of 36 mm around the handle is required (see Figure 2).

4.3 Handles for pulling, pushing and manoeuvring the container shall be positioned at a height of (900^{+400}_{-25}) mm (measured in the middle of the handle) above the ground. On two wheeled containers these handles shall have a minimum height of 800 mm in a tilted position (centre of gravity above the wheel axle).

On four wheeled containers vertical handles are optional. If two handles are fitted they shall be a minimum of 450 mm apart and shall cover a height range from 780 mm to 1 050 mm.

4.4 Handles for lifting containers over kerbstones shall be at a height of between 700 mm and 850 mm from the ground.

4.5 If handles are positioned above the trunnion they shall have a safety guard according to Figure 3.

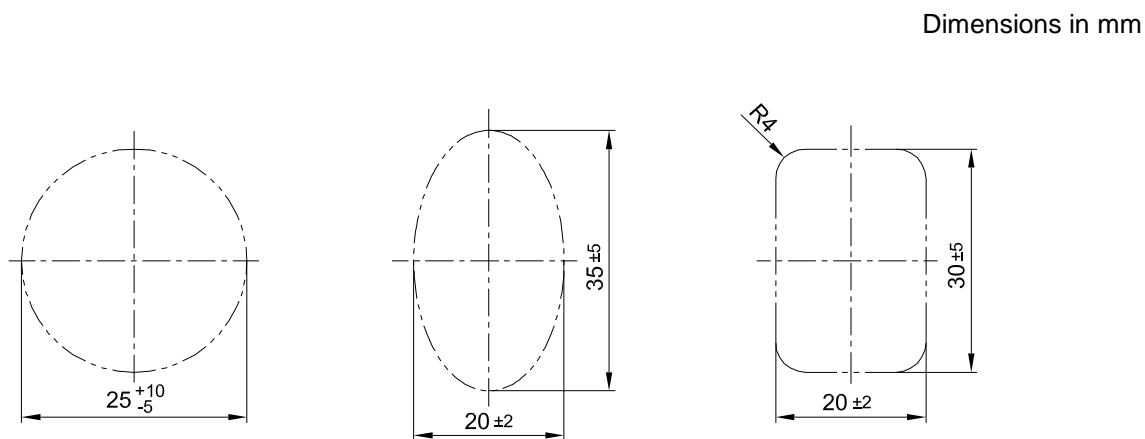
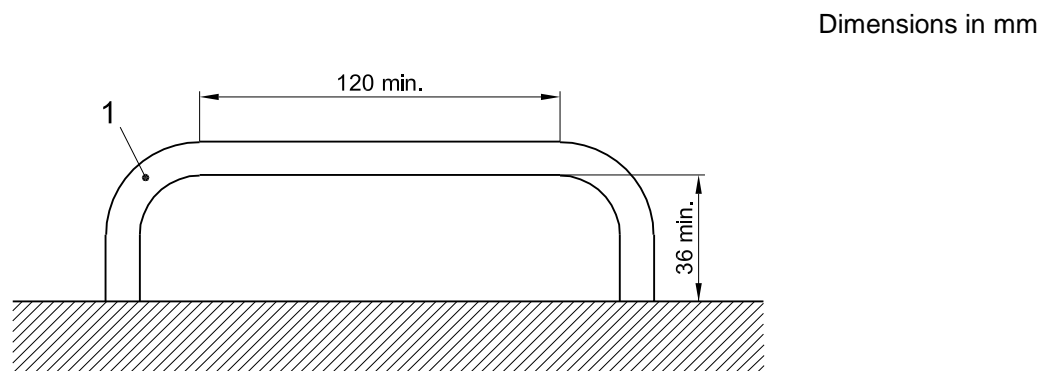


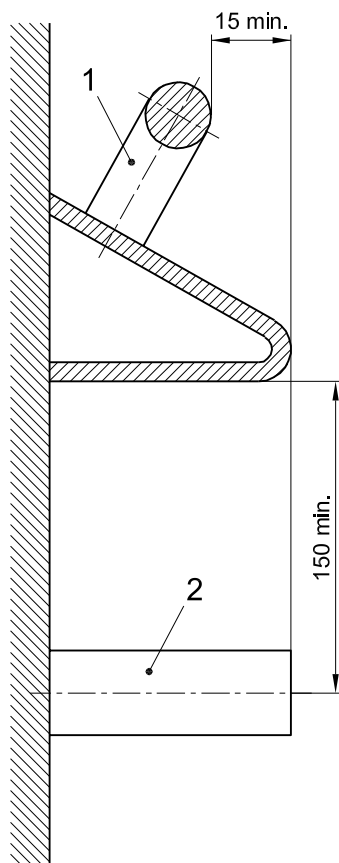
Figure 1 — Handles (round, oval, rectangular)



Key

1 Handle

Figure 2 — Clearance

**Key**

- 1 Handle
- 2 Trunnion

Figure 3 — Handles above trunnion**5 Wheels**

5.1 Containers with 4 wheels and a capacity not exceeding 1 700 l shall only have swivel castor wheels. Containers for towing with four wheels can have two fixed wheels or wheels which could be fixed.

5.2 The wheels and their position shall ensure a minimum of pushing/pulling force and good stability.

5.3 The wheels on all containers shall have a nominal diameter of 200 mm. Wheels of nominal diameter of 160 mm on 4 wheeled containers are optional provided the pulling and pushing forces are not exceeded (see 3.3).

5.4 All wheels or castors shall be constructed to resist static and dynamic stress, e. g. by rolling against kerbstones (test according to EN 840-5)

5.5 If castor-mounting brackets are used they shall not protrude beyond the widest part of the container body.

6 Direction block

When direction blocks are fitted on containers with 4 wheels they shall be fitted to at least 2 wheels.

7 Brakes

7.1 General

When brakes are fitted on containers with 4 wheels they shall be fitted to at least 2 wheels.

7.2 The brakes shall be adjustable or self-compensating and capable of retaining the container on a minimum slope of ten degrees to the horizontal.

7.3 Brakes shall be capable of being used easily by the operator.

7.4 If containers are fitted with a central brake locking system it must be possible to secure it against unauthorised unlocking.

7.5 The brakes shall be tested according to EN 840-5:2001, 4.9.4.

8 Edges

8.1 The container shall not have any sharp edges (a radius less than 1,4 mm).

8.2 All edges which may be used for manoeuvring shall be rounded so that nobody can be injured.

9 Lids

9.1 To avoid the danger of crushed fingers when closing the lid, dome lids shall have a safety clearance to the front edge of at least 35 mm. The gap shall be closed by an elastic material.

Flat lids shall not damage fingers.

9.2 Containers with dome lids shall be provided with a mechanism to hold the lid open automatically and prevent it from accidentally closing.

9.3 Containers with assisted lids shall be provided with a device to ensure that the container lid cannot cause injury by its movement.

9.4 The dome lid container shall be designed in such a manner that, in particular, a child's head cannot be trapped between lid and body of the container.

For dome lid container, a minimum gap of 181 mm shall be kept between lid and body of the container. This gap shall not be closed either automatically (by spring force or gravity) or unintentionally by a child's hand force.

The container shall be tested according to EN 840-5:2001, 4.11.5.

10 Cleaning

Containers shall be designed for easy cleaning.

11 Instructions for use

11.1 Instructions for use shall be supplied so that the operator can have access to all available information on the correct use of containers.

Those instructions shall give information on all relevant factors to enable correct usage of a container. Also safety and health requirements shall be included.

11.2 In order to give purchasers and all users of the container the necessary information to enable them to correctly choose and safely use the containers, the information provided shall as a minimum include:

- number of the European Standard (e.g. EN 840-2);
- volume;
- total permissible mass;
- wheel diameter;
- type of the wheel bearings;
- whether direction blocks are fitted or not;
- whether brakes are equipped or not;
- adjusted braking torque;
- whether a central brake lock is equipped;
- pulling force, measured using the type test (see EN 840-5);
- essential dimensions including height of handles in the upright and tilted position.

This information shall conform to the delivered container.

Annex A (informative)

A-Deviations

A-Deviation: National deviation due to regulations, the alteration of which is for the time being outside the competence of the CEN/CENELEC-member.

This European Standard does not fall under any Directive of the EC. In the relevant CEN/CENELEC-countries these A-deviations are valid instead of the fixations of the European Standard until they have been removed.

DENMARK

The EN 840-1 to EN 840-6 do not fulfil the national Danish legislation regarding requirements for health and safety. This legislation is based on EEC-Directive 89/391/EC of 12 June 1989 and EEC-Directive 90/269/EEC of 29 May 1990.

The Danish legislation is written down in "Executive Order No. 867 of 13 October 1994 concerning Performance of Work" and in "Executive Order No. 1164 of 16 December 1994 concerning Manual Handling" both given by the Minister of Work. The Legal understanding of the Executive Orders are written in the Danish Working Environment Service (WES) guidelines. WES-guideline No. 4.1.0.1 of 1993 describes "Manual handling and transportation of domestic garbage" and No. 4.1.0.2 of 1996 describes "Construction of technical systems and equipment for handling domestic garbage" (former WES circular-order No. 10/1990).

Therefore the manual handling and use of containers described in EN 840-1 to EN 840-6 Denmark can be met with additional requirements.

Bibliography

EN 840-1, *Mobile waste containers – Part 1: Containers with 2 wheels with a capacity up to 400 l for comb lifting devices – Dimensions and design.*

EN 840-2, *Mobile waste containers – Part 2: Containers with 4 wheels with a capacity up to 1 300 l with flat lid(s), for trunnion and/or comb lifting devices – Dimensions and design.*

EN 840-3, *Mobile waste containers – Part 3: Containers with 4 wheels with a capacity up to 1 300 l with dome lid(s), for trunnion and/or comb lifting device – Dimensions and design.*

EN 840-4, *Mobile waste containers – Part 4: Containers with 4 wheels with a capacity up to 1 700 l with flat lid(s), for wide trunnion or BG- and/or wide comb lifting device - Dimensions and design.*

BSI — British Standards Institution

BSI is the independent national body responsible for preparing British Standards. It presents the UK view on standards in Europe and at the international level. It is incorporated by Royal Charter.

Revisions

British Standards are updated by amendment or revision. Users of British Standards should make sure that they possess the latest amendments or editions.

It is the constant aim of BSI to improve the quality of our products and services. We would be grateful if anyone finding an inaccuracy or ambiguity while using this British Standard would inform the Secretary of the technical committee responsible, the identity of which can be found on the inside front cover.
Tel: +44 (0)20 8996 9000. Fax: +44 (0)20 8996 7400.

BSI offers members an individual updating service called PLUS which ensures that subscribers automatically receive the latest editions of standards.

Buying standards

Orders for all BSI, international and foreign standards publications should be addressed to Customer Services. Tel: +44 (0)20 8996 9001.
Fax: +44 (0)20 8996 7001. Email: orders@bsi-global.com. Standards are also available from the BSI website at <http://www.bsi-global.com>.

In response to orders for international standards, it is BSI policy to supply the BSI implementation of those that have been published as British Standards, unless otherwise requested.

Information on standards

BSI provides a wide range of information on national, European and international standards through its Library and its Technical Help to Exporters Service. Various BSI electronic information services are also available which give details on all its products and services. Contact the Information Centre.
Tel: +44 (0)20 8996 7111. Fax: +44 (0)20 8996 7048. Email: info@bsi-global.com.

Subscribing members of BSI are kept up to date with standards developments and receive substantial discounts on the purchase price of standards. For details of these and other benefits contact Membership Administration.
Tel: +44 (0)20 8996 7002. Fax: +44 (0)20 8996 7001.
Email: membership@bsi-global.com.

Information regarding online access to British Standards via British Standards Online can be found at <http://www.bsi-global.com/bsonline>.

Further information about BSI is available on the BSI website at <http://www.bsi-global.com>.

Copyright

Copyright subsists in all BSI publications. BSI also holds the copyright, in the UK, of the publications of the international standardization bodies. Except as permitted under the Copyright, Designs and Patents Act 1988 no extract may be reproduced, stored in a retrieval system or transmitted in any form or by any means – electronic, photocopying, recording or otherwise – without prior written permission from BSI.

This does not preclude the free use, in the course of implementing the standard, of necessary details such as symbols, and size, type or grade designations. If these details are to be used for any other purpose than implementation then the prior written permission of BSI must be obtained.

Details and advice can be obtained from the Copyright & Licensing Manager.
Tel: +44 (0)20 8996 7070. Fax: +44 (0)20 8996 7553.
Email: copyright@bsi-global.com.