

Domestic and Commercial Containers

Domestic and Commercial waste containers are built to European Standard EN 840 with 1100 and 660 litre capacity

STANDARD FEATURES

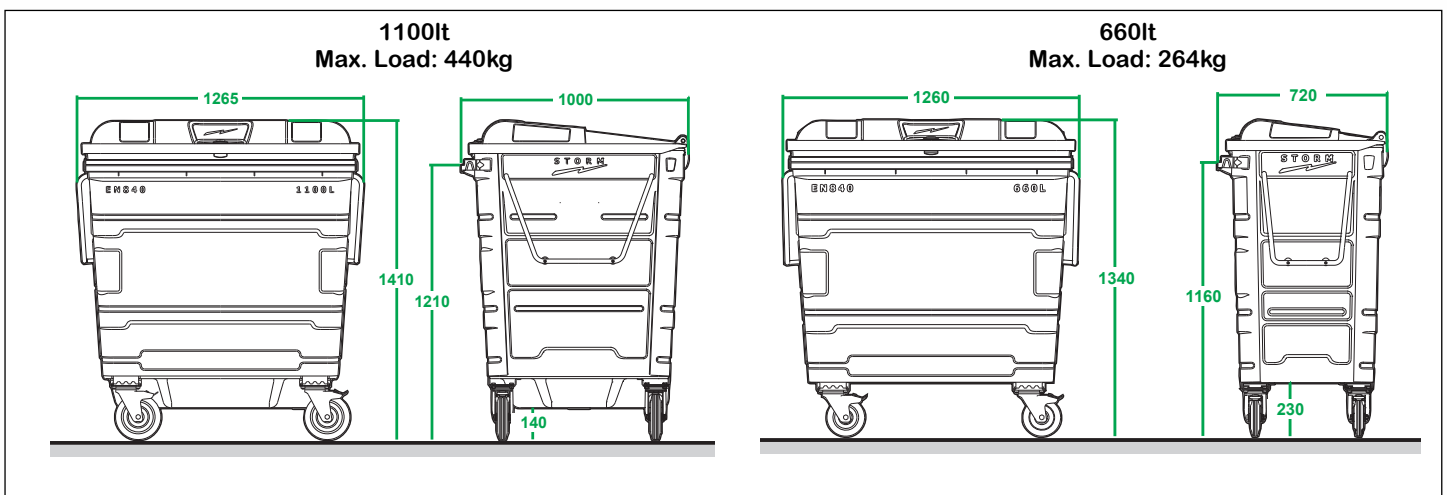
- Galvanised Steel Body
- Full section comb lifting bar
- Fully welded internal seams
- Danish manoeuvring handles
- Diamond key operated lid lock

STANDARD SAFETY FEATURES

- Luminous safety chevrons to front of containers
- Safety operating instructions on both sides of the lid

OPTIONAL FEATURES

- Hard wearing powder-coated finish in a range of colours
- Identification logos
- Security identification embossing on container body
- DIN lifting points
- Key operated central locking to front castors
- Spine type security lid lock
- Half-drop doors to front or back of container
- Power towing attachment
- Fork truck pockets to base of container



Note: The addition of DIN Points will add approx. 105mm to the width of each bin